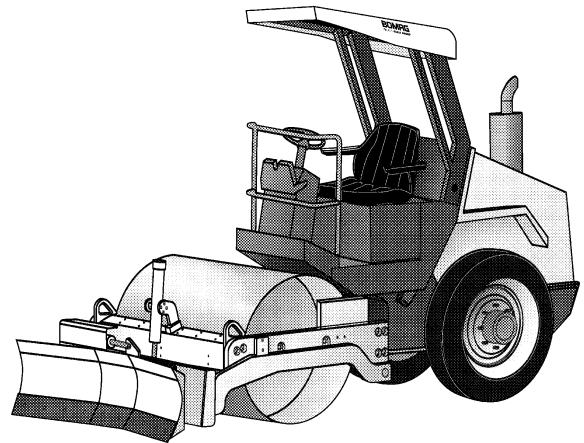


**SINGLE DRUM VIBRATORY ROLLERS  
BW 124 DH, BW 124 PDH, BW 124 PDB (T)**

**PERFORMANCE DATA**



Machine type	Compaction output (m <sup>3</sup> /h)			
	Rock fill	Gravel, sand	Mixed soil	Silt, clay
BW 124 DH	-	105-210	75-150	40-90
BW 124 PDH	-	105-210	75-150	50-100

Machine type	Compacted layer thickness (m)			
	Rock fill	Gravel, sand	Mixed soil	Silt, clay
BW 124 DH	-	0,35	0,25	0,15
BW 124 PDH	-	0,35	0,25	0,20

# Technical Data

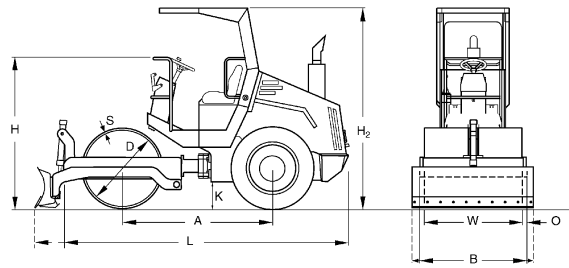
Shipping dimensions in m3	without ROPS	with ROPS
<b>BW 124 DH</b>	8,119	10,844
<b>BW 124 PDH</b>	8,119	10,844
<b>BW 124 PDB (T)</b>	10,931	14,600

## Standard Equipment

- Hydrostatic travel and vibration drive
- Double pump system for travel drive
- Rear axle with twin spring accumulator brakes
- Differential lock
- Hydrostatic articulated steering
- Contact scrapers
- Operating/Control Equipment
  - Hour meter
  - Charge control
  - Parking brake
  - Engine oil pressure
  - Engine temperature
  - air cleaner pollution
  - Fuel level indicator
- Warning horn
- Transport lashing and lifting points front/rear
- Lockable anti vandal dashboard protection
- Back-up alarm
- Emergency stop button
- ROPS/FOPS with safety belt
- Working lights
- Seat contact switch

## Optional Equipment

- Dozer blade
- Dozer blade with tilting mechanism
- Dozer blade with swashing facility
- Special painting
- Rotary beacon



## Dimensions in mm

	A	B	D	H	H2	K	L	O	S	W
<b>BW 124 DH</b>	1805	1310	960	1850	2471	320	3350	55	15	1200
<b>BW 124 PDH</b>	1805	1310	890	1850	2471	320	3350	55	15	1200
<b>BW 124 PDB (T)</b>	1805	1515	890	1850	2471	320	3900	55	15	1200

## Technical Data

	BOMAG BW 124 DH	BOMAG BW 124 PDH	BOMAG BW 124 PDB (T)
--	--------------------	---------------------	-------------------------

## Weights

Grossweight .....	kg	3.850	3.900	3.900
Operating weight CECE .....	kg	3.300	3.350	3.880
Axle load, drum / wheels CECE .....	kg	1.600/1.700	1.650/1.700	1.950/1.730
Static linear load CECE .....	kg/cm	13,3		

## Dimensions

Working width .....	mm	1.200	1.200	1.200
Track radius, inner .....	mm	2.240	2.240	2.240

## Driving Characteristics

Speed .....	km/h	0- 9,0	0- 9,0	0- 9,0
Max. gradeability without/with vibr. ....	%	55/55	55/55	55/55

## Drive

	BOMAG BW 124 DH	BOMAG BW 124 PDH	BOMAG BW 124 PDB (T)
Engine manufacturer .....	Deutz	Deutz	Deutz
Type .....	D 2011 L3i	D 2011 L3i	D 2011 L3i
Emission stage .....	3a/4i	3a/4i	3a/4i
Cooling .....	Air - oil	Air - oil	Air - oil
Number of cylinders .....	3	3	3
Performance ISO 3046 .....	kW	33,0	33,0
Performance SAE J 1995 .....	hp	45,0	45,0
Speed .....	min-1	2.500	2.500
Fuel .....	diesel	diesel	diesel
Electric equipment .....	V	12	12
Drive system .....	hydrost.	hydrost.	hydrost.
Drum driven .....	standard	standard	standard

## Drums and Tyres

Tyre size .....	9.5-24 4PR	9.5-24	9.5-24
Number of pad feet .....		70	70
Area of one pad foot .....	cm <sup>2</sup>	81	81
Height of pad feet .....	mm	55	55

## Dozer Blade

Width / height .....	mm		1.515/500
Height adjustment over ground level .....	mm		405
Height adjustment below ground level .....	mm		180
Swivelling angle for tilt +/- .....	grad		22

## Brakes

Service brake .....	hydrost.	hydrost.	hydrost.
Parking brake .....	hydromec.	hydromec.	hydromec.

## Steering

Steering system .....	oscil.artic.	oscil.artic.	oscil.artic.
Steering method .....	hydrost.	hydrost.	hydrost.
Steering / oscillating angle +/- .....	grad	35/12	35/12

## Exciter system

Drive system .....	hydrost.	hydrost.	hydrost.
Frequency .....	Hz	41/41	41/41
Amplitude .....	mm	1,70/0,85	1,60/0,80
Centrifugal force .....	kN	85/43	85/43

## Capacities

Fuel .....	l	60,0	60,0	60,0
------------	---	------	------	------

Technical modifications reserved. Machines may be shown with options.



**BOMAG**  
Hellerwald  
D-56154 Boppard  
P.O. Box 5162  
Tel. (0)6742 - 1000  
Fax (0)6742 - 3090

